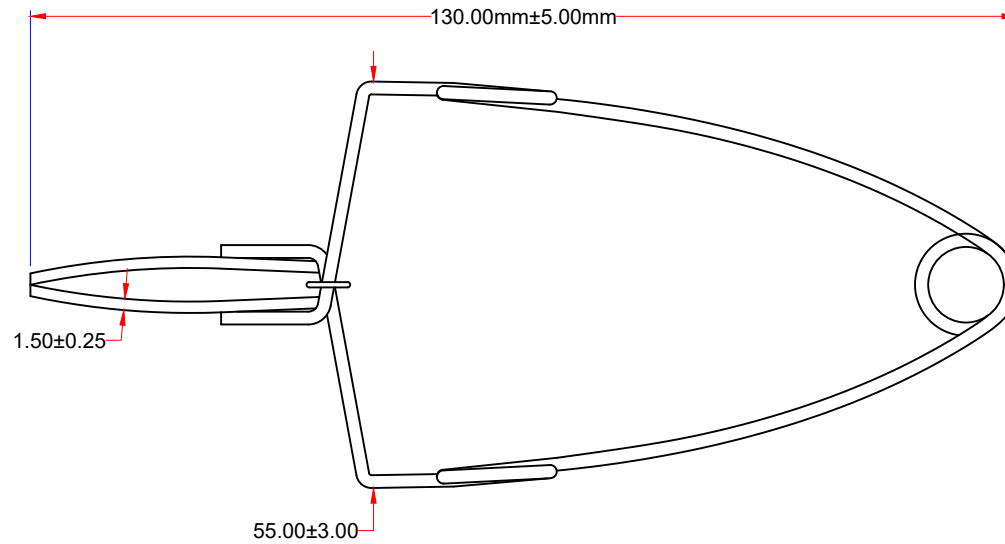
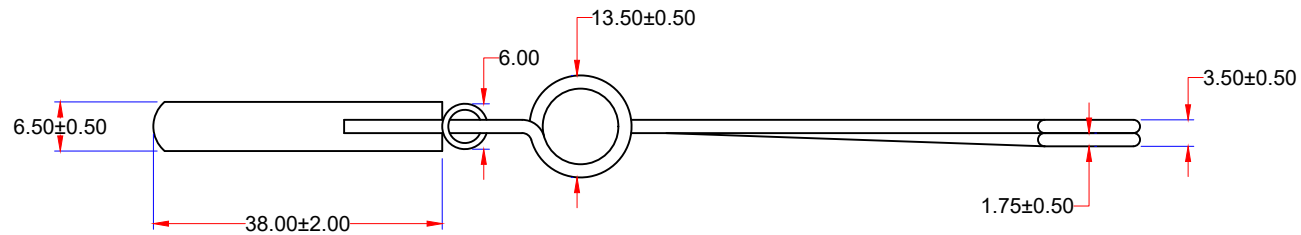


**FRONT VIEW**



**SIDE VIEW**



<b>Device Name:</b> Strauss Penis Clamp		<b>Material:</b> Stainless Steel A.I.S.I 410	<b>Rev #</b>	<b>Description</b>	<b>Date</b>	<b>Approved By</b>
<b>Size:</b> 19cm / 190mm (7.5")	<b>Finish:</b> Satin	<b>Hardness:</b> Nill	00			
<b>Code:</b> SKG-30-453	<b>Weight:</b> 13g ± 3g	<b>Dated:</b> 10 Sep, 2024				
<b>Customer Code:</b>	<b>Sheet:</b> 1 of 1	<b>Scale:</b> 1 : 1				
<b>Configuration:</b> Cross Action		<b>Tolerance:</b> ± 0.50mm Unless Specified On The Drawing Itself				

Drawn By: aqeel-ur-rehman  
CAD Designer

Approved By: Mr. Saad Shumman  
Q.A Manager

**SURGIKARE**  
TOOR ABAD, DASKA ROAD,  
SIALKOT-PAKISTAN  
URL:  
[www.surgikare.com](http://www.surgikare.com)