

# Equipment Covers

## Basin Liners

	CODE	DESCRIPTION	CASE QTY	CASE DIMENSIONS
	80-13506	Ring Basin Liner/Basin Stand Cover, Single, 52x52" (132x132cm)	50	20x13x16" (51x33x41cm)
	80-13506-S	Ring Basin Liner/Basin Stand Cover, Single, 52x52" (132x132cm)	30	20x13x16" (51x33x41cm)
	80-13507	Ring Basin Liner/Basin Stand Cover, Single, Flat, 52x52" (132x132cm)	30	19x19x8" (51x33x41cm)
	80-13509-S	Ring Basin Liner/Basin Stand Cover, Double, 52x69" (132x176cm)	30	21x19x14" (52x45x39cm)
	80-13509	Ring Basin Liner/Basin Stand Cover, Double, 52x69" (132x176cm)	50	21x19x14" (52x45x39cm)

### Materials

- Bi-Color Film
- Blue Polyethylene (PE) Film

### Product Attributes

- Available in single or double basin configuration
- Product design reduces plastic resin requirements, sterile packaging and storage space versus traditional disposable ring basins

### Sterilization

**Sterile:** Sterilized by EO (ethylene oxide). Product is sterile unless the package has been damaged or opened.  
**Non-Sterile:** If a product is delivered non-sterile and is ultimately for use in sterile environments, it is intended to be sterilized by the re-packer. This includes further packaging and sterilization according to the validated processes of the re-packer. These products are to be sterilized by ethylene oxide (EO). Other methods of sterilization have not been validated by Alleset.

### Shelf Life

**Sterile:** 5 years  
**Non-Sterile:** Established at 5 years based upon sterile packaged product aging studies and normal warehouse storage conditions. After 5 years, the product should be performance tested to ensure compliance to specifications.

### Product Certifications/Standards

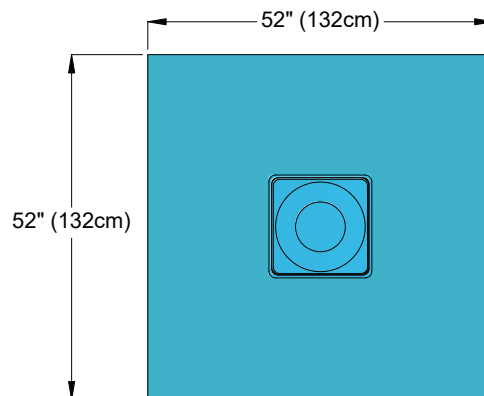
- Sterile: CE certified as Class I, according to MDD93/42/EEC Annex IX, Rule 4
- Non-Sterile: CE certified as Class I, according to MDR 2017/745 Annex VIII, Rule 1

### Manufacturing Certifications/Registrations

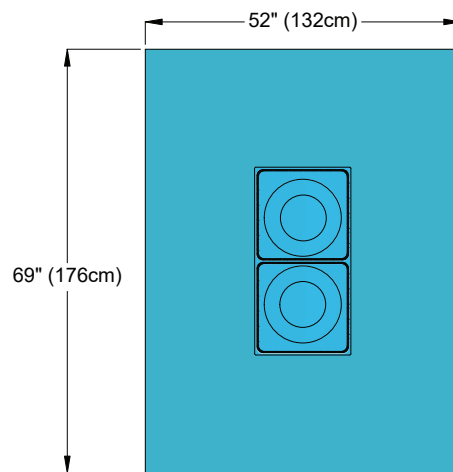
- EN ISO 13485:2016
- Medical Device Single Audit Process Certified

### Storage

- General warehouse conditions



80-13506, 80-13506-S, 80-13507



80-13509, 80-13509-S



Alleset  
 4142 Industry Way  
 Flowery Branch, GA 30542,  
 USA  
 www.alleaset.com  
 SM-TDS-002 2022  
 Country of Origin Abbreviations per ISO 3166-1, Alpha-2 Codes.

GRI Medical & Electronic Technology Co., LTD  
 1805 Honggao Road,  
 314031 Jiaxing, Zhejiang  
 PEOPLE'S REPUBLIC OF CHINA  
 www.alleaset.com  
 US FDA Establishment Registration #3004911384

Emergo Europe B.V.  
 Prinsessegracht 20  
 2514 AP The Hague  
 The Netherlands  
 www.emergobyul.com

